

Exidor 400 series

Touch bar range



EXIDOR

Contents

- 02 Choose your finish
- 03 Electronic latch retraction
- 04 Product selector
- 09 Electronic latch retraction range
- 12 Single door range
- 16 Outside access devices
- 18 Accessories
- 20 Touch bar sizing
- 22 Technical data
- 23 Parts list
- 24 Regulations
- 25 Product features

Guarantee

To support the high quality and first class engineering that has gone into our Exidor range, we provide a ten year guarantee (subject to conditions) against defects due to faulty manufacturing, workmanship or defective material. We agree to replace any defective Exidor product free of charge provided the product has been fitted in accordance with the fitting instructions and maintained correctly.

Technical support

We're here to help with technical support.

Tel: 0845 223 2124
email: csdcomm@assaabloy.com

uniononline.co.uk

DOOR

Exidor 400 series touch bar

We are a leading manufacturer of panic and emergency exit hardware and joined the UNION family in 2021. The Exidor range of products has been meeting the needs of architects, specifiers, project managers, OEMs and building managers for more than 90 years. And, we're proud to have built an unrivalled record of developing and continually enhancing a product range that's known and used all over the world.

The Exidor 400 series touch bar – certified to the European Standard BS EN1125:2008, carrying the Certifire quality mark, fire rated and CE marked for safety and peace of mind.

Combining smooth stylish lines with quality British engineering, the Exidor touch bar provides the best solution for panic and emergency exits, and is even stylish enough for the most integrated of interiors.

Certified to 200,000 uses, the Exidor 400 series is suitable for use in public buildings such as hotels, schools, hospitals, airports and prestige office developments where the door mass does not exceed 200kg.

The range is available in single, two and three point locking systems using vertical or horizontal Pullman latches. Accessories include alarm and microswitch units, outside access devices for entry from the external side, as well as an electronic latch retraction option which, when integrated with the buildings access control system, gives security and ease of entry as well as emergency egress at all times.



What does British manufacturing mean to us?

We make our products at our state-of-the-art manufacturing centre in the UK. This means we're close to our products and can ensure the quality and reliability of our product range – giving you the confidence and trust for total peace of mind.

We're proud that our products carry the Made In Britain mark.

Choose your finish

Exidor use epoxy powder coating for all painted surfaces to give a quality finish to our products, and offer silver, white with green touch bar and black with green touch bar as standard colours for the Exidor 400 series.

Brass and stainless steel plated finishes are also available but are not recommended for external use or outside access devices.

Exidor also offer a range of popular hewi and ral colours to match other ironmongery products that may be fitted. When ordering please suffix the product code with the Hewi or RAL number.

A choice of finishes

All exit devices and outside access devices are available in a wide range of finishes:

Standard finishes:



Silver (RAL 9022)



Black/Green



White/Green

Plated finishes available:



Stainless steel effect



Brass effect

Popular RAL colours available:



Pure white 9010



Agate grey 7038



Olive brown 8008



Ultra marine blue 5002



Mint green 6029



Black green 6012



Ruby red 3003



Ivory 1014



Black red 3007



Traffic yellow 1023



Jet black 9005



Steel blue 5011



Fir green 6009



Anthracite grey 7016



Gold



Allowing your access control system to integrate with the Exidor 400 series...

Electronic latch retraction

With the ever increasing need for improved security, the Exidor 400 series can now be fully integrated with any access control system whilst still allowing safe and quick emergency exit from inside the building.

The electronic latch retraction range can be used with most access control systems, from a simple card swipe through to biometric systems such as fingerprint/hand and iris recognition.

From the inside of the door the bar operates mechanically and independently from the access control system. This ensures that even in the event of power failure, speedy and safe egress can be achieved.

However, from the outside of the door the Exidor 400 series electronic latch retraction unit is wired into the buildings access control system which means that when an authorised person approaches the door, a motor concealed within the touch bar assembly provides immediate retraction of the bolts and therefore access into the building.

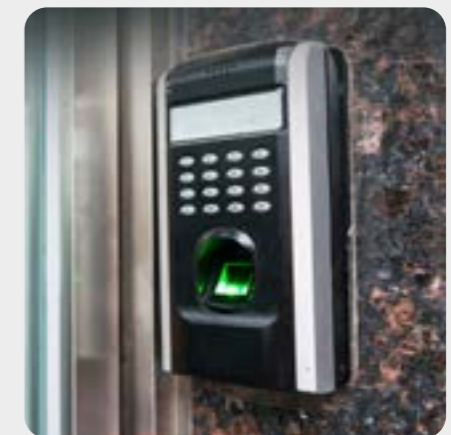
After a predetermined period of time the bolts re-engage ensuring that the security of the building is maintained.

The unit operates from a standard 24v dc 1 amp power supply (not provided) and the use of a motor, rather than a solenoid, ensures that power is only required when the bar is in the open position, giving lower power usage and a longer life.

All bars include as standard electronic dogging (hold back) and optional extras include an exit alarm, which will sound when the touch bar is operated, and internally fitted microswitches, allowing the status of the bar to be monitored. Both these options are factory fitted and must be specified when ordering the bars.

The Exidor 400 series with electronic latch retraction is available as a deadlocking single point latch, as well as in two or three point locking versions with either vertical or horizontal pullman latches.

All versions are certified to the european standard en1125:2008 for panic hardware, and are available in the same range of finishes as the standard bars ensuring complete integration within a building.



Single doors

EN 1125

Pullman latches									
Single point locking		Two point locking				Three point locking			
Door width (min-max) 692mm - 900mm		Door width (min-max) 872mm - 1200mm		Door width (min-max) 692mm - 900mm		Door width (min-max) 872mm - 1200mm		Door width (min-max) 872mm - 1200mm	
400 Touch bar panic latch 	401 Touch bar panic latch 	402 Touch bar panic bolt with vertical pullman latches 	416 Touch bar panic bolt with horizontal pullman latches 	403 Touch bar panic bolt with vertical pullman latches 	417 Touch bar panic bolt with horizontal pullman latches 	404 Touch bar 3 point panic bolt with vertical pullman latches 	418 Touch bar 3 point panic bolt with horizontal pullman latches 	405 Touch bar 3 point panic bolt with vertical pullman latches 	419 Touch bar 3 point panic bolt with horizontal pullman latches

Electronic latch retraction

EN 1125

Pullman latches									
Single point locking		Two point locking				Three point locking			
Door width (min-max) 692mm - 900mm		Door width (min-max) 872mm - 1200mm		Door width (min-max) 692mm - 900mm		Door width (min-max) 872mm - 1200mm		Door width (min-max) 872mm - 1200mm	
TB450 ELR touch bar panic latch 	TB451 ELR touch bar panic latch 	TB452 ELR touch bar panic bolt with vertical pullman latches 	TB466 ELR touch bar panic bolt with horizontal pullman latches 	TB453 ELR touch bar panic bolt with vertical pullman latches 	TB467 ELR touch bar panic bolt with horizontal pullman latches 	TB454 ELR touch bar 3 point panic bolt with vertical pullman latches 	TB468 ELR touch bar 3 point panic bolt with horizontal pullman latches 	TB455 ELR touch bar 3 point panic bolt with vertical pullman latches 	TB469 ELR touch bar 3 point panic bolt with horizontal pullman latches

Rebated double doors

EN 1125

Pullman latches

Three point locking

Four point locking

Five point locking

Door width (min-max)
692mm - 900mm

Door width (min-max)
872mm - 1200mm

Door width (min-max)
692mm - 900mm

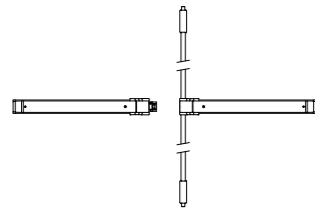
Door width (min-max)
872mm - 1200mm

Door width (min-max)
692mm - 900mm

Door width (min-max)
872mm - 1200mm

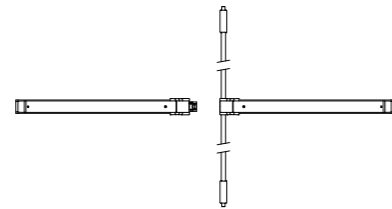
400, 402, 406B

Touch bar panic latch and touch bar panic bolt with vertical pullman latches



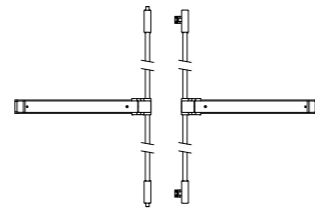
401, 403, 406B

Touch bar panic latch and touch bar panic bolt with vertical pullman latches



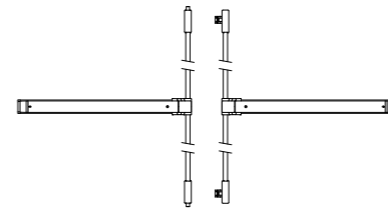
402, 416, 406A, 406A

Touch bar panic bolt with vertical pullman latches and touch bar panic bolt with horizontal pullman latches



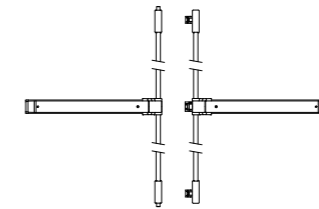
403, 417, 406A, 406A

Touch bar panic bolt with vertical pullman latches and touch bar panic bolt with horizontal pullman latches



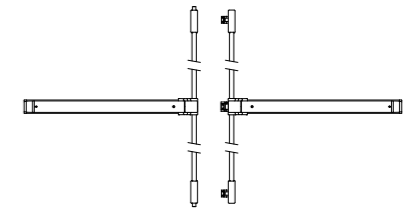
402, 418, 406B, 406A, 406A

Touch bar panic bolt with vertical pullman latches and touch bar 3 point panic bolt with horizontal pullman latches



403, 419, 406B, 406A, 406A

Touch bar panic bolt with vertical pullman latches and touch bar 3 point panic bolt with horizontal pullman latches



Electronic latch retraction

EN 1125

Pullman latches

Three point locking

Four point locking

Five point locking

Door width (min-max)
692mm - 900mm

Door width (min-max)
872mm - 1200mm

Door width (min-max)
692mm - 900mm

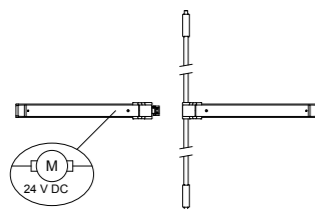
Door width (min-max)
872mm - 1200mm

Door width (min-max)
692mm - 900mm

Door width (min-max)
872mm - 1200mm

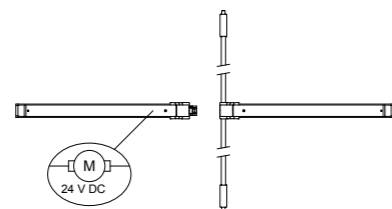
TB450, 402, 406B

ELR touch bar panic latch and touch bar panic bolt with vertical pullman latches



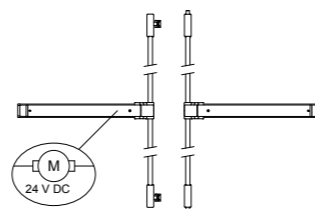
TB451, 403, 406B

ELR touch bar panic latch and touch bar panic bolt with vertical pullman latches



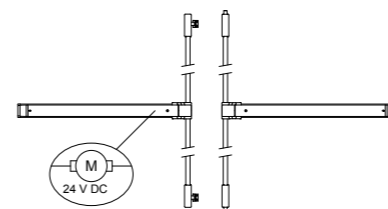
TB466, 402, 406A, 406A

ELR touch bar panic bolt with horizontal pullman latches and touch bar panic bolt with vertical pullman latches



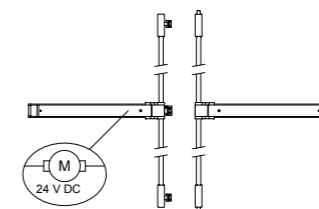
TB467, 403, 406A, 406A

ELR touch bar panic bolt with horizontal pullman latches and touch bar panic bolt with vertical pullman latches



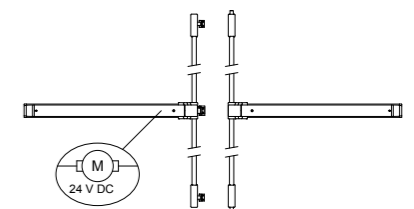
TB468, 402, 406B, 406A, 406A

ELR touch bar three point panic bolt with horizontal pullman latches and touch bar panic bolt with vertical pullman latches



TB469, 403, 406B, 406A, 406A

ELR touch bar three point panic bolt with horizontal pullman latches and touch bar panic bolt with vertical pullman latches



Non-rebated double doors

EN 1125

Pullman latches	
Four point locking	
Door width (min-max) 692mm - 900mm	Door width (min-max) 872mm - 1200mm
<p>402, 402 Touch bar panic bolt with vertical pullman latches and touch bar panic bolt with vertical pullman latches</p>	<p>403, 403 Touch bar panic bolt with vertical pullman latches and touch bar panic bolt with vertical pullman latches</p>

Single and double doors

TB450 / TB451

CE MADE IN BRITAIN certifire EN 179

Single point locking

Classification No.	3	7	6	0	1	3	2	2	B	A
EN 179 : 2008										

- TB450** ELR touch bar panic latch for doors up to 900mm wide
- TB451** ELR touch bar panic latch for doors up to 1200mm wide

The Exidor TB450 and TB451 with electronic latch retraction are surface mounted touch bar panic latches for wooden or steel, single and double door applications.

The TB450 is suitable for doors up to 900mm wide and the TB451 for doors up to 1200mm wide. Integration with the buildings access control system ensures that security and access restrictions are maintained. Simply pushing the touch bar always provides safe and speedy exit in panic situations, whilst the patented lip prevents accidental jamming of the touch bar. Combining smooth stylish lines with the excellence of british engineering ensures they're elegant enough for use in the most prestigious buildings with integrated interiors.

- Non-handed
- CE marked for safety
- Surface mounted
- Suitable for use with access control systems
- Low power usage
- Operates from a 24v DC 1A power supply (not provided)
- Built in electronic dogging
- Standard colours: silver, white with green touch bar and black with green touch bar
- Plated finishes and most ral colours available



Standard sizes
TB450 can be used for doors up to 900mm wide and the TB451 for doors up to 1200mm wide. Touch bars for the following size doors are also available: 483mm, 566mm, 650mm, 733mm and 816mm. Other sizes are available to order. Please contact the sales office for more details.

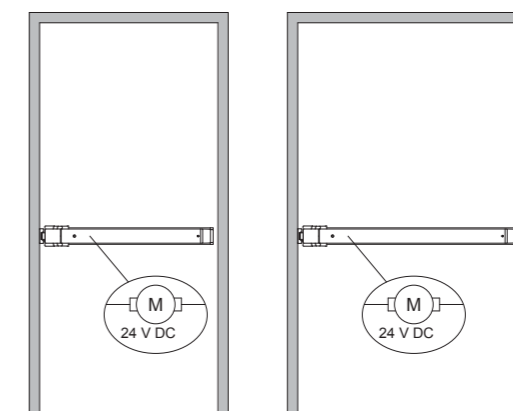
Additional options
The Exidor ELR touch bar panic latches can be supplied with:

- Microswitch (suffix MS after the product code)
- Alarm (suffix AL after the product code)

Electronic latch retraction

EN 1125

Pullman latches	
Four point locking	
Door width (min-max) 692mm - 900mm	Door width (min-max) 872mm - 1200mm
<p>TB452, 402 ELR touch bar panic bolt with vertical pullman latches and touch bar panic bolt with vertical pullman latches</p>	<p>TB453, 403 ELR touch bar panic bolt with vertical pullman latches and touch bar panic bolt with vertical pullman latches</p>



TB450

TB451



Single doors

TB452 / TB453 / TB466 / TB467

Two point locking

Classification No.	3	7	6	0	1	3	2	2	B	A
EN 179 : 2008										

TB452 ELR touch bar panic bolt with vertical latches for doors up to 900mm wide

TB453 ELR touch bar panic bolt with vertical latches for doors up to 1200mm wide

The Exidor TB452 and TB453 with electronic latch retraction are surface mounted touch bar panic bolts for wooden or steel, single and double door applications.

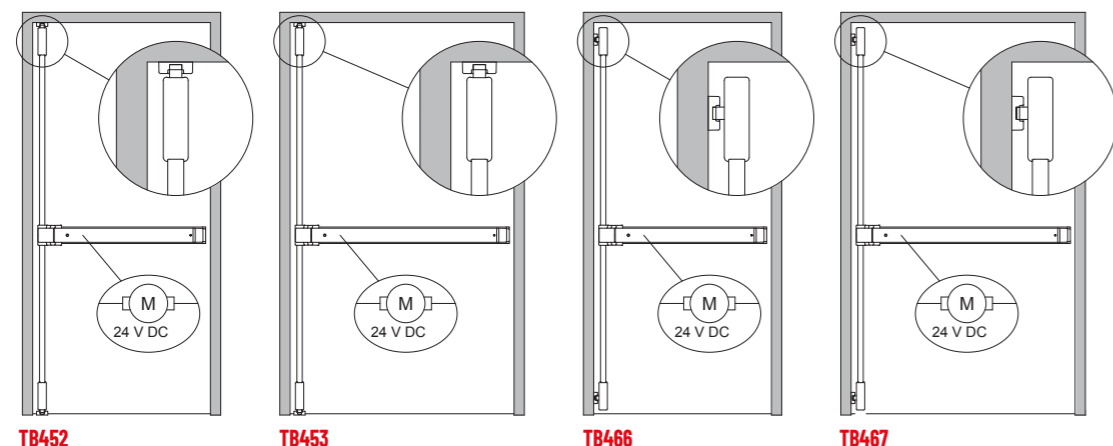
The TB452 is suitable for doors up to 900mm wide and the TB453 for doors up to 1200mm wide. Integration with the buildings access control system ensures that security and access restrictions are maintained. The vertical pullman latches offer increased security, whilst the patented lip prevents accidental jamming of the touch bar. Combining smooth stylish lines with the excellence of british engineering ensures they're elegant enough for use in the most prestigious buildings with integrated interiors

TB466 ELR touch bar panic bolt with horizontal latches for doors up to 900mm wide

TB467 ELR touch bar panic bolt with horizontal latches for doors up to 1200mm wide

The Exidor TB466 and TB467 with electronic latch retraction offer all the elegance and functions of the Exidor touch bar panic bolts but using horizontal pullman latches.

- Non-handed
- CE marked for safety
- Surface mounted
- Suitable for use with access control systems
- Low power usage
- Operates from a 24v DC 1A power supply (not provided)
- Built in electronic dogging
- Standard colours: silver, white with green touch bar and black with green touch bar
- Plated finishes and most ral colours available



TB452

TB453

TB466

TB467



Standard sizes

TB452 and TB466 can be used for doors up to 900mm wide and the TB453 and TB467 for doors up to 1200mm wide. Touch bars for the following size doors are also available: 483mm, 566mm, 650mm, 733mm and 816mm. Other sizes are available to order. Please contact the sales office for more details. All Exidor ELR touch bar panic bolts are suitable for doors up to 2440mm high. Special sizes are available on request.

Additional options

The Exidor ELR touch bar panic bolts can be supplied with:

- Microswitch (suffix MS after the product code)
- Alarm (suffix AL after the product code)



Single doors

TB454 / TB455 / TB468 / TB469

Three point locking

Classification No.	3	7	6	0	1	3	2	2	B	A
EN 179 : 2008										

TB454 ELR touch bar three point panic bolt with vertical latches for doors up to 900mm wide

TB455 ELR touch bar three point panic bolt with vertical latches for doors up to 1200mm wide

The Exidor TB454 and TB455 with electronic latch retraction are surface mounted three point touch bar panic bolts for wooden or steel, single and double door applications.

The TB454 is suitable for doors up to 900mm wide and the TB455 for doors up to 1200mm wide. Integration with the buildings access control system ensures that security and access restrictions are maintained. The three point locking offers increased security, whilst the patented lip prevents accidental jamming of the touch bar. Combining smooth stylish lines with the excellence of british engineering ensures they're elegant enough for use in the most prestigious buildings with integrated interiors.

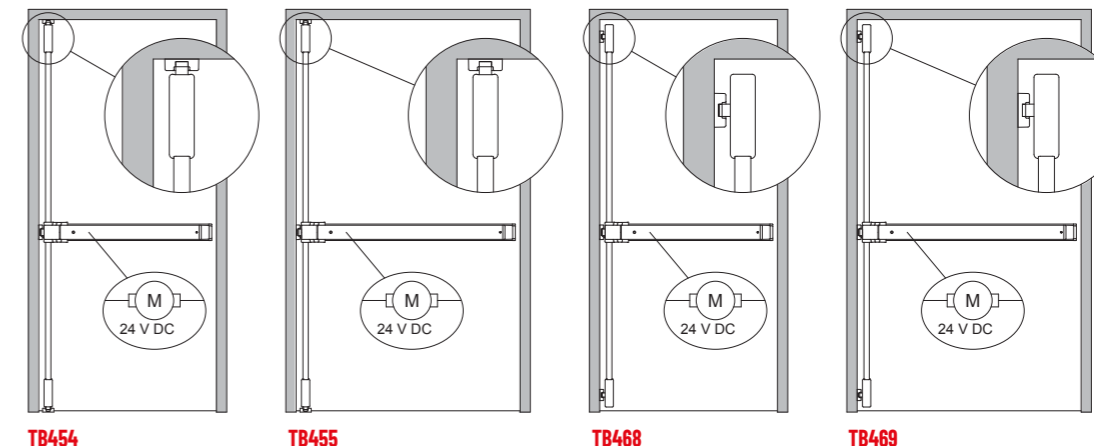
- Non-handed
- Surface mounted
- Used with a mortice night latch for additional security
- Mortice night latch snib for hold open facility
- Deadlocking latch bolt
- Two standard sizes - others available on request
- Standard colours: silver, white with green touch bar and black with green touch bar
- Plated finishes and most ral colours available

TB468 ELR touch bar three point panic bolt with horizontal latches for doors up to 900mm wide

TB469 ELR touch bar three point panic bolt with horizontal latches for doors up to 1200mm wide

The Exidor TB468 and TB469 with electronic latch retraction offer all the elegance and functions of the exidor touch bar three point panic bolts but using horizontal pullman latches

- Non-handed
- CE marked for safety
- Surface mounted
- Suitable for use with access control systems
- Low power usage
- Operates from a 24v dc 1a power supply (not provided)
- Built in electronic dogging
- Standard colours: silver, white with green touch bar and black with green touch bar
- Plated finishes and most RAL colours available



TB454

TB455

TB468

TB469



Standard sizes

TB454 and TB468 can be used for doors up to 900mm wide and the TB455 and TB469 for doors up to 1200mm wide. Touch bars for the following size doors are also available: 483mm, 566mm, 650mm, 733mm and 816mm. Other sizes are available to order. Please contact the sales office for more details. All Exidor ELR touch bar three point panic bolts are suitable for doors up to 2440mm high. Special sizes are available on request

Additional options

The Exidor ELR touch bar three point panic bolts can be supplied with:

- Microswitch (suffix MS after the product code)
- Alarm (suffix AL after the product code)



Single doors 400 / 401

Single point locking

Classification No.	3	7	6	B	1	3	2	2	B	A
EN 179 : 2008										

- 400** Touch bar panic latch for doors up to 900mm wide
- 401** Touch bar panic latch for doors up to 1200mm wide

The Exidor 400 and 401 are surface mounted touch bar panic latches for wooden or steel, single and double door applications, including fire doors.

The 400 is suitable for doors up to 900mm wide and the 401 for doors up to 1200mm wide. Simply pushing the touch bar provides safe and speedy exit in panic situations, whilst the patented lip prevents accidental jamming. Combining smooth stylish lines with the excellence of british engineering ensures they're elegant enough for use in the most prestigious buildings with integrated interiors.

- Non-handed
- CE marked for safety
- Suitable for fire doors
- Surface mounted
- Two standard sizes - other sizes available on request
- Deadlocking latch bolt
- Standard colours: silver, white with green touch bar and black with green touch bar
- Plated finishes and most RAL colours available



Standard sizes

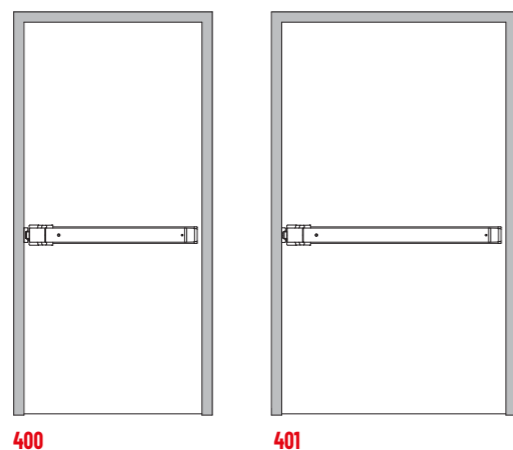
The 400 can be used for doors up to 900mm wide and the 401 for doors up to 1200mm wide. Touch bars for the following size doors are also available: 483mm, 566mm, 650mm, 733mm and 816mm. Other sizes are available to order. Please contact the sales office for more details.

Additional options

- The Exidor touch bar panic latches can be supplied with:
- Microswitch (suffix MS after the product code)
 - Alarm (suffix AL after the product code)
 - Dogging (suffix WD after the product code). Please note that WD products are not fire rated

Optional accessories for the 400 and 401 touch bar panic latches

- 425EA outside access device with euro aperture - lever operated
- 425EC outside access device with euro cylinder - lever operated
- 426EA outside access device with euro aperture - knob operated
- 426EC outside access device with euro cylinder - knob operated
- CL1 mechanical push button outside access device
- CL2 mechanical push button outside access device with passage facility
- CL3 quick code mechanical push button outside access device



400

401



Single doors 402 / 403 / 416 / 417

Two point locking

Classification No.	3	7	6	B	1	3	2	2	B	A
EN 179 : 2008										

- 402** Touch bar panic bolt with vertical latches for doors up to 900mm wide
- 403** Touch bar panic bolt with vertical latches for doors up to 1200mm wide

The Exidor 402 and 403 are surface mounted touch bar panic bolts for wooden or steel, single and double door applications, including fire doors.

The 402 is suitable for doors up to 900mm wide and the 403 for doors up to 1200mm wide. The vertical pullman latches offer increased security, whilst the patented lip prevents accidental jamming of the touch bar. Combining smooth stylish lines with the excellence of British engineering ensures they're elegant enough for use in the most prestigious buildings with integrated interiors.

- 416** Touch bar panic bolt with horizontal latches for doors up to 900mm wide
- 417** Touch bar panic bolt with horizontal latches for doors up to 1200mm wide

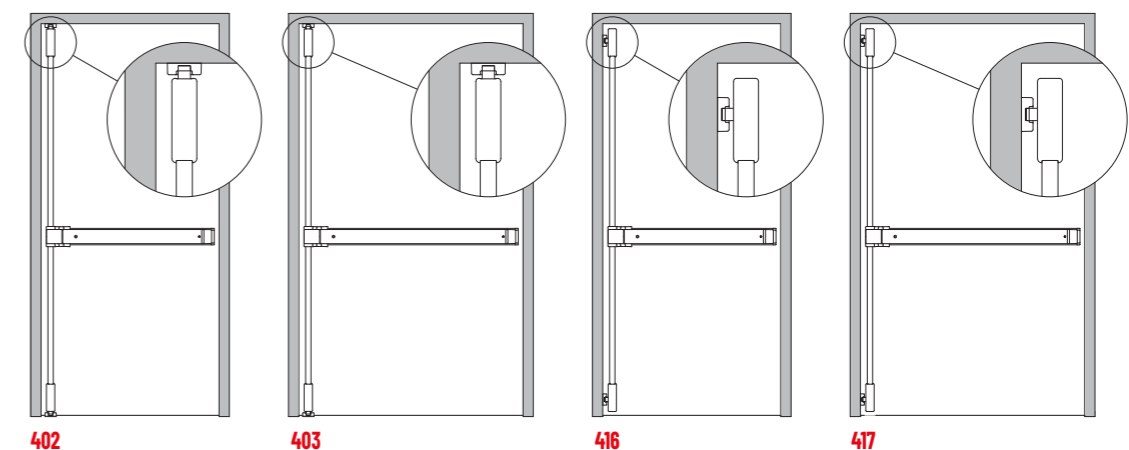
The Exidor 416 and 417 offer all the elegance and functions of the Exidor touch bar panic bolts but using horizontal pullman latches.

- Non-handed
- CE marked for safety
- Surface mounted
- Suitable for fire doors
- Two point locking for additional security
- Two standard sizes - other sizes available on request
- Pullman latches giving a smoother latching action
- Standard colours: silver, white with green touch bar and black with green touch bar.
- Plated finishes and most RAL colours available



Horizontal pullman latches

Vertical pullman latches



402

403

416

417



Standard sizes

The 402 and 416 can be used for doors up to 900mm wide and the 403 and 417 for doors up to 1200mm wide. Touch bars for the following size doors are also available: 483mm, 566mm, 650mm, 733mm and 816mm. Other sizes are available to order. Please contact the sales office for more details. All Exidor touch bar panic bolts are suitable for doors up to 2440mm high. Special sizes available on request.

Additional options

- The Exidor touch bar panic bolts can be supplied with:
- Microswitch (suffix MS after the product code)
 - Alarm (suffix AL after the product code)
 - Dogging (suffix WD after the product code). Please note that WD products are not fire rated

Optional accessories for the 402, 403, 416 and 417 touch bar panic bolts

- 425EA outside access device with euro aperture - lever operated
- 425EC outside access device with euro cylinder - lever operated
- 426EA outside access device with euro aperture - knob operated
- 426EC outside access device with euro cylinder - knob operated
- CL1 mechanical push button outside access device
- CL2 mechanical push button outside access device with passage facility
- CL3 quick code mechanical push button outside access device



Single doors 404 / 405 / 418 / 419

Three point locking

Classification No.	3	7	6	B	1	3	2	2	B	A
EN 179 : 2008										

- 404** Touch bar three point panic bolt with vertical latches for doors up to 900mm wide
- 405** Touch bar three point panic bolt with vertical latches for doors up to 1200mm wide

The Exidor 404 and 405 are surface mounted touch bar three point panic bolts for wooden or steel, single and double door applications, including fire doors.

The 404 is suitable for doors up to 900mm wide and the 405 for doors up to 1200mm wide. The three point locking offers increased security, whilst the patented lip prevents accidental jamming of the touch bar. Combining smooth stylish lines with the excellence of british engineering ensures they're elegant enough for use in the most prestigious buildings with integrated interiors.

- 418** Touch bar three point panic bolt with horizontal latches for doors up to 900mm wide
- 419** Touch bar three point panic bolt with horizontal latches for doors up to 1200mm wide

The Exidor 418 and 419 offer all the elegance and functions of the Exidor touch bar three point panic bolts but using horizontal pullman latches.

- Non-handed
- CE marked for safety
- Surface mounted
- Suitable for fire doors
- Three point locking for additional security
- Deadlocking latch bolt
- Two standard sizes – other sizes available on request
- Pullman latches giving a smoother latching action
- Standard colours: silver, white with green touch bar and black with green touch bar.
- Plated finishes and most RAL colours available



Standard sizes

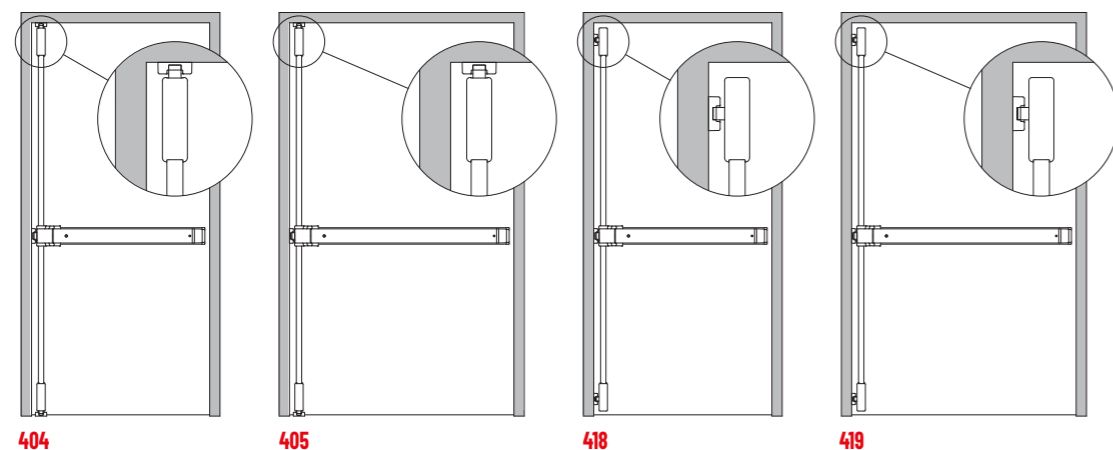
The 404 and 418 can be used for doors up to 900mm wide and the 405 and 419 for doors up to 1200mm wide. Touch bars for the following size doors are also available: 483mm, 566mm, 650mm, 733mm and 816mm. Other sizes are available to order. Please contact the sales office for more details. All Exidor three point touch bar panic bolts are suitable for doors up to 2440mm high. Special sizes available on request.

Additional options

- The Exidor touch bar three point panic bolts can be supplied with:
 - Microswitch (suffix MS after the product code)
 - Alarm (suffix AL after the product code)
 - Dogging (suffix WD after the product code). Please note that WD products are not fire rated

Optional accessories for the 404, 405, 418 and 419 three point panic bolts

- 425EA outside access device with euro aperture - lever operated
- 425EC outside access device with euro cylinder - lever operated
- 426EA outside access device with euro aperture - knob operated
- 426EC outside access device with euro cylinder - knob operated
- CL1 mechanical push button outside access device
- CL2 mechanical push button outside access device with passage facility
- CL3 quick code mechanical push button outside access device



404 405 418 419



Single doors 420 / 421 / 413MS / 414MS

Three point locking

Classification No.	3	7	6	B	1	3	2	2	B	A
EN 179 : 2008										

- 420** Touch bar mortice actuator with cylinder night latch for doors up to 900mm wide
- 421** Touch bar mortice actuator with cylinder night latch for doors up to 1200mm wide

The Exidor 420 and 421 offer a touch bar actuator unit with a cylinder mortice night latch case that can be supplied with or without a euro profile cylinder for access from the outside. A mortice plate is supplied as standard. The unit is suitable for wooden or steel, single and double applications and provides security on the outside with ease of escape from the inside in panic situations.

- Non-handed
- Surface mounted
- Used with a mortice night latch for additional security
- Mortice night latch snib for hold open facility
- Deadlocking latch bolt
- Two standard sizes – others available on request
- Standard colours: silver, white with green touch bar and black with green touch bar
- Plated finishes and most ral colours available

- 413MS** Touch bar microswitch actuator with two microswitches for doors up to 900mm wide
- 414MS** Touch bar microswitch actuator with two microswitches for doors up to 1200mm wide

The 413ms and 414ms are not CE marked and cannot be used on escape doors within the EU.

The Exidor 413MS and 414MS offer a touch bar actuator unit with two microswitches which can be used to activate a magnetic lock or monitoring system.

- Non-handed
- Surface mounted
- Two standard sizes – other sizes available on request
- Standard colours: silver, white with green touch bar and black with green touch bar
- Plated finishes and most RAL colours available



Standard sizes

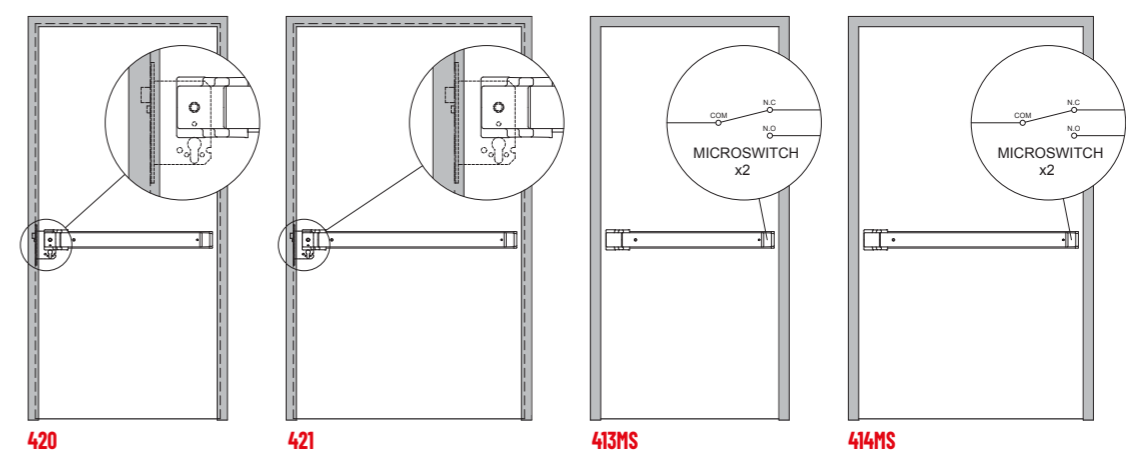
The 420 and 413MS can be used for doors up to 900mm wide and the 421 and 414MS for doors up to 1200mm wide. Touch bars for the following size doors are also available: 483mm, 566mm, 650mm, 733mm and 816mm. Other sizes are available to order. Please contact the sales office for more details.

Additional options for the 420, 421, 413MS and 414MS

- The Exidor mortice actuators can be supplied with:
 - Alarm (suffix AL after the product code)

Additional options for the 420, 421

- Microswitch (suffix MS after the product code)



420 421 413MS 414MS

CE MADE IN BRITAIN certifire

Outside access devices

All Exidor 400 series OAD's have been certified for use with the Exidor 400 series range of exit hardware. The use of any other OAD will invalidate the CE marking on these products.

425 Lever operated outside access device

The Exidor 425 is an elegant lever operated outside access device that meets the dimensional requirements of equality act 2010 and BS8300 – approved document 'M'. The OADs can be supplied with or without a 45mm single euro profile cylinder allowing flexibility where master keying is required. Built to the same profile as the 426 knob OAD the lever and knob are interchangeable.

- Suitable for use with Exidor 400 series
- Non-handed
- Lever meets the dimensional requirements of BS8300
- Cylinder version supplied with 3 keys
- Powder coated for durability
- Fixings to suit steel, timber, aluminium or uPVC doors
- For doors up to 57mm thick (longer fixings available)
- Key retention and keyed alike models also available

Performance

When locked the lever or knob is disengaged from the mechanism and still rotates therefore preventing unauthorised entry and damage to the unit. When unlocked the operator, spindle and mechanism engage, allowing the internal hardware's locking point(s) to be withdrawn from the outside of the door. The lever or knob remains engaged until the mechanism is re-locked.

Finishes

Available as standard in silver, there is also a choice of RAL colours and plated finishes.

Note: plated finishes are not generally recommended on outside access devices, unless being used on an internal route.

426 Knob operated outside access device

The Exidor 426 is a stylish knob operated outside access device that can be supplied with or without a 45mm single euro profile cylinder allowing flexibility where master keying is required. Built to the same profile as the 425 lever OAD the knob and lever are interchangeable.

- Suitable for use with Exidor 400 series
- Non-handed
- Cylinder version supplied with 3 keys
- Powder coated for durability
- Fixings to suit steel, timber, aluminium or uPVC doors
- For doors up to 57mm thick
- Key retention and keyed alike models also available



425

Options available

- 425EC OAD with euro cylinder
- 425EA OAD with euro profile aperture
- Suffix code with /'RK' for key retention model
- Suffix code with /'KA' for keyed alike option



426

Options available

- 426EC OAD with euro cylinder
- 426EA OAD with euro profile aperture
- Suffix code with /'RK' for key retention model
- Suffix code with /'KA' for keyed alike option

CE

Mechanical push button outside access devices

- CL1** Push button mechanical code lock
- CL2** Push button mechanical code lock with passage function
- CL3** Quick code mechanical code lock (code can be changed without removing the unit)

Not suitable for use with the Exidor 420 and 421 products.

The CL range of mechanical push button outside access devices offer a simple solution where access control is required to operate the Exidor 400 panic and emergency hardware.

There are two options within the range, the standard CL1/CL2 and the quick code CL3. The quick code option allows the mechanical code to be changed swiftly, without having to remove the unit from the door. Each version is available as a standard product, or with the passage function which allows the unit to be set in the code free mode allowing the handle to be opened without entering a code. Finished in PVD stainless steel or PVD brass, the CL range is suitable for high usage exterior applications, including corrosive environments, and all are supplied with three spindles, ensuring complete compatibility with the Exidor 400 series products.

- 1,584 different codes available
- Non handed
- Reversible safety lever
- Surface mounted using concealed screws
- Clutch protection on the outside lever
- Supplied with spindles for doors from 35mm to 60mm thick
- PVD weather resistant finish
- Available in stainless steel or brass finishes

Performance

Once the correct code has been entered, the handle is released allowing the operation of the panic and emergency hardware from the outside of the door. When the handle returns to the horizontal position, it re-locks and the code needs to be entered again if access is required.

If the unit is set in passage mode, no code is required to operate the handle.

Finishes

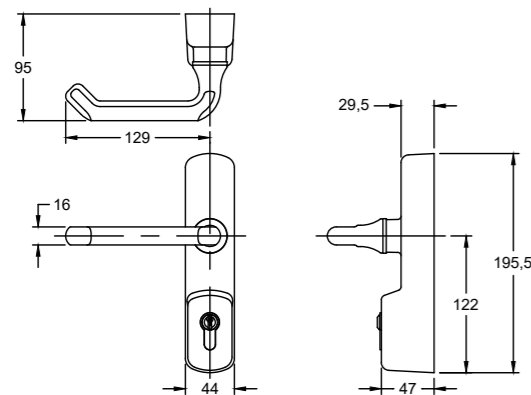
PVD stainless steel or PVD brass.



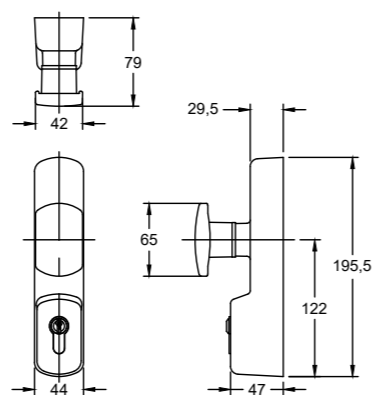
CL1/CL2



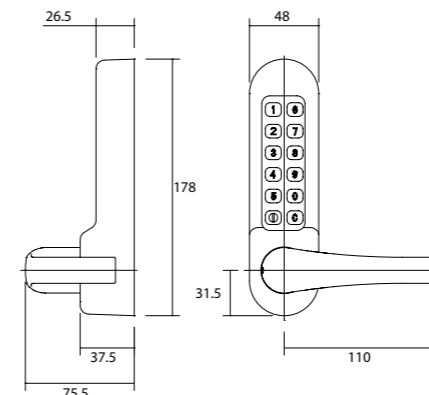
CL3



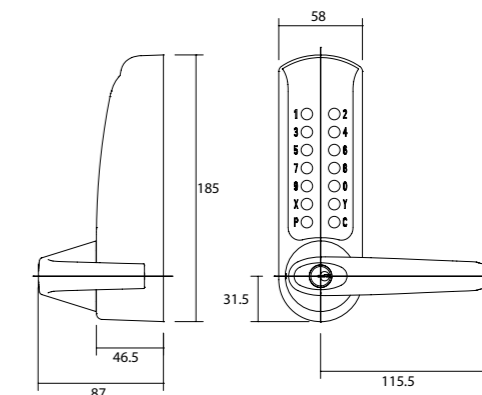
425



426



CL1/CL2



CL3

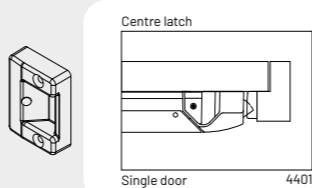
CE MADE IN BRITAIN certifire

Door keeps

Latch bolt keeps

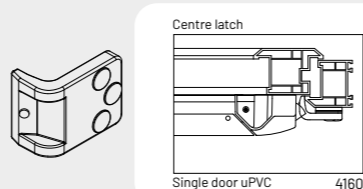
4401 Centre latch keep

- Supplied as standard with all the 400 series with latch bolts
- Construction: diecast aluminium
Finish: powder coated black / plated finish not available



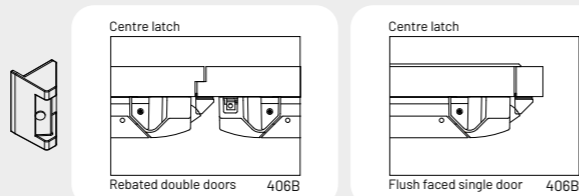
4160 Latch keep

- Suitable for all uPVC profiles
- Construction: diecast aluminium
Finish: white powder coated / silver finish available on request



406B Centre latch keep for rebated double doors / Single flush faced doors and frames

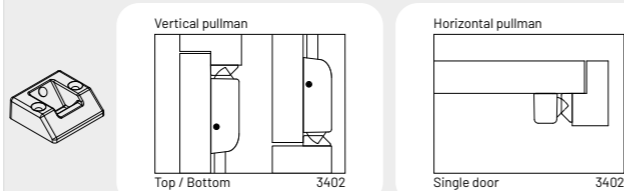
- For 400 series panic latches and the three point panic bolts when used on rebated double doors or single flush faced doors and frames.
- Construction: diecast aluminium
Finish: silver



Pullman latch keeps

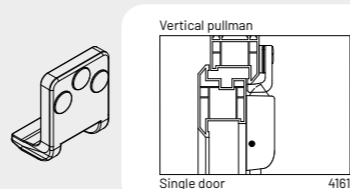
3402 Vertical and horizontal pullman latch keep

- For 400 series vertical and horizontal pullman latches
 - Supplied as standard with all pullman latch units
- Construction: diecast aluminium
Finish: powder coated black / plated finish not available



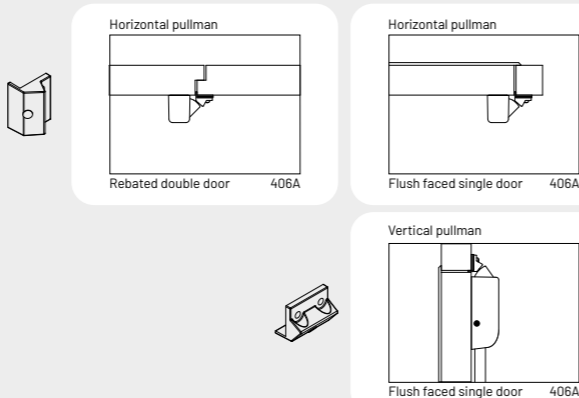
4161 Vertical pullman latch keep for uPVC single doors

- Suitable for all uPVC profiles
- Construction: diecast aluminium
Finish: white powder coated / silver finish available on request



406A Horizontal pullman latch keep for rebated double doors / Top keep for flush fitted single doors and frames

- For 400 series horizontal pullman latches, panic bolts and three point panic bolts when used on rebated double doors and for vertical and horizontal pullman latches when used on flush fitted doors and frames.
- Construction: diecast aluminium
Finish: silver



CE MADE IN BRITAIN certifire

Add-on accessories

Latch kits

- 408V** Vertical pullman latch kit
- 408** Horizontal pullman latch kit

The 400 series pullman latch kits are available in either vertical or horizontal versions. They easily allow conversion of the Exidor 400 panic bolts and three point panic bolts ensuring flexibility of products stocked and can be supplied in the full range of finishes available on the bars.

Accessories for non-standard doors

For doors that exceed 2440mm high the following top rods and cover channels are available.

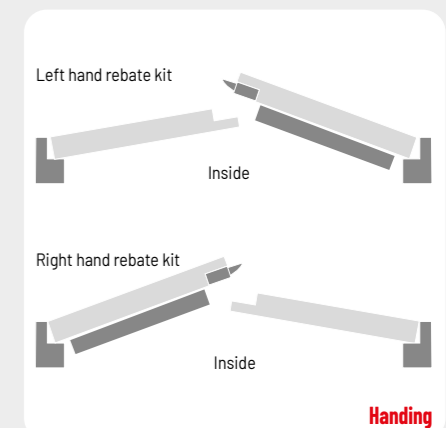
Top shoot tube

- P5031** Touch bar allthread for doors up to 2440mm high
- P5033** Touch bar allthread for doors up to 4000mm high
- P5096** Touch bar top cover channel 1210mm long
- P5098** Touch bar channel connector for single doors
- P5107** Touch bar channel connector for double doors
- P5096** Touch bar top cover channel 1210mm

Mortice actuator accessories

- P3054** Euro profile cylinder for cylinder mortice night latch
- P1803** Key blank for euro profile cylinder
- RK13** 13mm rebate set for cylinder mortice night latch
- RK25** 25mm rebate set for cylinder mortice night latch

Please note that rebate kits are handed.



Maximum door width

The touch bar does not have to cover the full width of the door. To satisfy the requirements of en 1125: 2008 the width of the touch bar's actuator must cover at least 60% of the width of the inside face of the door leaf (as visible when the door is closed). (For more details please refer to the table below)

Minimum door width

This minimum door width is determined by adding the clearances required at each end to the overall length of the touch bar. (For more details please refer to the table below)

Stocked sizes

All touch bars configurations are available in two standard lengths:

- 653.5mm overall which suits door widths between 692mm to a maximum of 900mm
- 833.5mm overall which suits door widths between 872mm to a maximum of 1200mm

They are identified by the model numbers (e.g. Model 400 is a single point latch unit 653.5mm overall, model 401 is a single point latch unit 833.5mm overall)

Non-stocked (special) sizes

A range of smaller non-stocked special sizes are available to order.

These are for use on doors with widths smaller than 692mm. They are assembled to order using stocked components and are available in five sizes: 603.5mm, 553.5mm, 503.5mm, 453.5mm and 403.5mm. (For more details please refer to the table below)

Unless specified all the Exidor range is supplied with all the necessary fixings for timber frames and doors. However, for alternative fixings for steel doors please contact the manufacturer or your supplier.

Bespoke (special) sizes

For doors; wider than 1200mm (to a maximum of 1810mm) and for door stiles where the touch bar crosses the glazing and the tail end fixings need to reach the hinge stile (i.e the door construction has no 'mid-rail'), bespoke sized touch bars can be manufactured to exact customer requirements for any size between 350mm - 1200mm.

Please note that for ELR and alarm models the minimum sizes that can be made are 553.5mm and 503.5mm respectively. (For more details regarding the corresponding door widths please refer to the table and diagram)

Door height

For 2 and 3 point vertical pullman latch units with the unit set at 900mm from the floor the maximum door height is 2250mm.

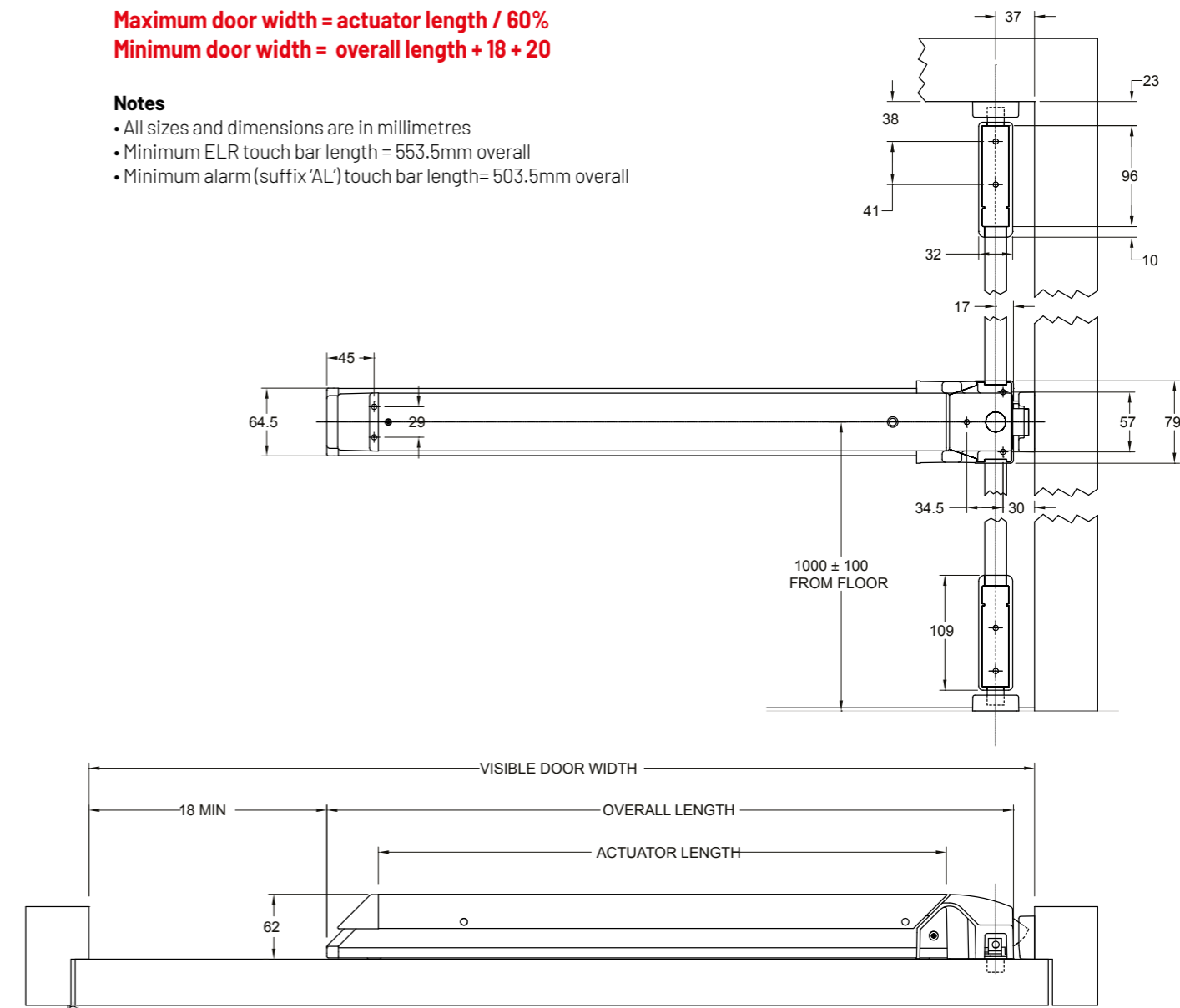
If the unit is set at 1100mm the maximum door height can be increased to 2450mm high.

For larger doors, longer 3m allthread rod is available. This will suit doors up to 4m high. For this arrangement a longer cover is not available. Instead additional 1210mm cover channels can be joined using joining brackets P5098 for single doors and double door inactive leaves and P5107 for double door active leaves.

Maximum door width = actuator length / 60%
Minimum door width = overall length + 18 + 20

Notes

- All sizes and dimensions are in millimetres
- Minimum ELR touch bar length = 553.5mm overall
- Minimum alarm (suffix 'AL') touch bar length= 503.5mm overall



Touch bar sizes and door widths				
Models	Overall length	Actuator length	Minimum door width	Maximum door width
Stocked sizes				
400, 402, 404, 416, 418, 420, TB450, TB452, TB454, TB466, TB468	653.5	540	692	900
401, 403, 405, 417, 419, 421, TB451, TB453, TB455, TB467, TB469	833.5	720	872	1200
Non - stocked sizes				
	603.5	490	642	816
	553.5	440	592	733
All Models	503.5	390	542	650
	453.5	340	492	566
	403.5	290	442	483
Bespoke sizes (see notes)				
Maximum size (all models)	1200	1086	1238	1810
Minimum size (all models)	350	236	388	393



Maintenance

It is important that all panic and emergency exit hardware devices are inspected and maintained properly to ensure safety when exiting a building in any situation.

Once the device is fitted regular maintenance is recommended.

Weekly:

- Make sure the exit device functions correctly
- Any fixings that have worked loose should be re-secured
- Any damaged components should be replaced
- Ensure there are no obstructions which prevent the panic/emergency exit unit from functioning correctly

Every three months:

- Check for wear. Any visible worn components should be replaced

Fixing/installation

Installation instructions are supplied with all Exidor panic and emergency exit hardware. Provided the instructions are followed and the units are fitted by a competent person, the Exidor range will offer a high degree of safety and security. No responsibility can be accepted by the manufacturer if the installation instructions are not followed.

In order to meet the cen european standards the door and frame should be of good quality and suitable to support the hardware.

Make sure that any weather strips or fixings on the door or frame do not interfere with the opening and closing of the door.

Construction

The main chassis and mounting plate are constructed of steel. The covers are diecast zinc and the guides are extruded aluminium. Zinc diecast and steel are used for the internal components. Shoot ends are made of steel with tubular steel rods and crossbar. The centre latch is nickel plated zinc diecast.

Passivate protection – on request

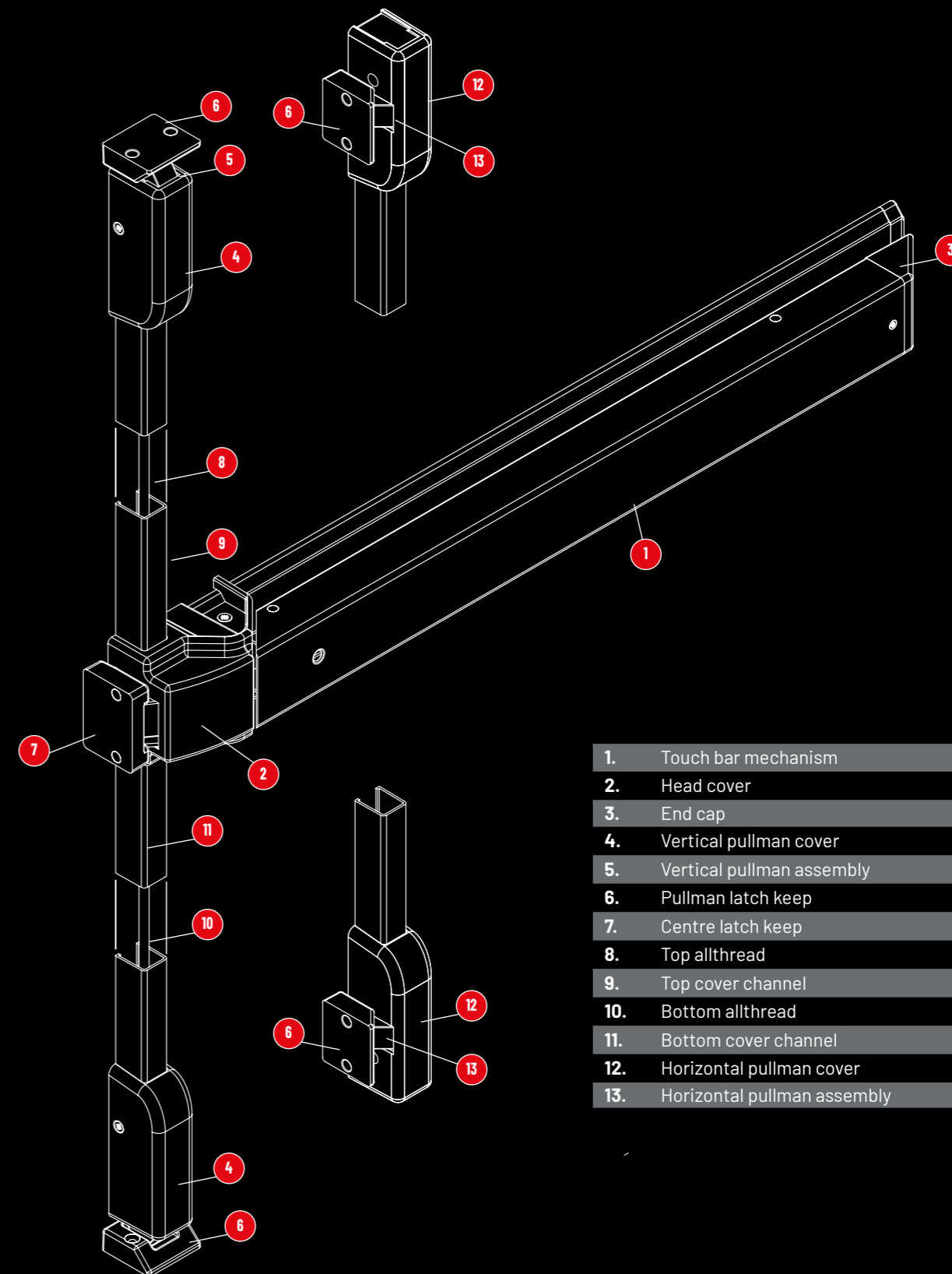
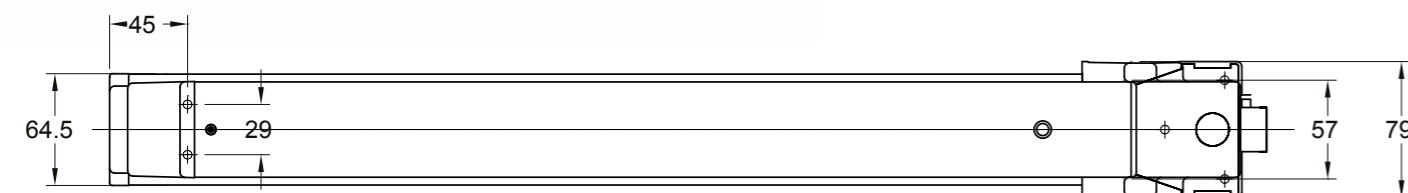
The passivation process gives extra protection to steel shoot tubes and crossbar, and is recommended when the product is to be used in harsh conditions, such as external gates, around swimming pools or coastal areas.

Chromating - on request

Chromating offers increased protection to the aluminium components in harsh condition such as outside gates, around swimming pools or coastal areas. stocked by Exidor.

Threshold seal

The ES1 threshold seal plate is for outward opening broad butt hinged doors. The seal meets the requirements of the Equality Act and has been fire, smoke and acoustic tested.



1.	Touch bar mechanism
2.	Head cover
3.	End cap
4.	Vertical pullman cover
5.	Vertical pullman assembly
6.	Pullman latch keep
7.	Centre latch keep
8.	Top allthread
9.	Top cover channel
10.	Bottom allthread
11.	Bottom cover channel
12.	Horizontal pullman cover
13.	Horizontal pullman assembly

The standard for the Exidor 400 series touch bar is as follows:-

EN1125: 2008

For push bar and touch bar devices which can be used in any environment, particularly areas open to members of the public.

Application examples: shopping centres, areas of entertainment, public buildings



Classification coding system for panic exit hardware

Under EN1125:2008 each product is tested and classified accordingly to show its compliance by the identification of a 10-digit code that is visible on the product and fitting instructions. Each digit represents a category and how it measured against the standard to which it was tested.

Example:

Digit	1	2	3	4	5	6	7	8	9	10
Classification No.	3	7	6	B	1	3	2	2	B	A



Digit 1 – Category of use

Only one category is identified
 3 = high frequency of use where there is little incentive to exercise care, i.e. where there is a chance of an accident occurring and misuse.
Example: Doors to shops, hospitals, schools and other buildings which provide access to designated areas and which are used by the public and others frequently carrying or propelling bulky objects

Digit 2 – Durability

6 = tested up to 100,000 cycles
 7 = tested up to 200,000 cycle

Digit 3 – Door mass

5 = for doors up to 100kg
 6 = for doors up to 200kg
 7 = for doors over 200kg

Digit 4 – Suitability for use on fire/smoke doors

0 = not approved for use on fire / smoke door assemblies
 A = suitable for use on smoke door assemblies
 B = Suitable for use on fire and smoke door assemblies based on a test in accordance with EN1634-1

Digit 5 – Safety

Only the top grade is allowed on panic and emergency exit hardware
 1 = safety

Digit 6 – Corrosion resistance to EN 1670

3 = high resistance
 4 = very high resistance

Digit 7 – Security for product

2 = 1,000 N – this is the only grade allowed under EN 1125

Digit 8 – Projection of device

1 = large projection (projection of 150mm from the face of the door)
 2 = standard projection (projection of 100mm from the face of the door)

Digit 9 – Type of device

A = panic device using a push bar
 B = panic device using a touch bar

Digit 10 – Door application

A = single door, double door: active or inactive leaf
 B = single door only
 C = double door, inactive leaf only

Product No.	Description	EN Standard	Size		Reversible	Pullman Latches		Electronic latch retraction	Locking Points	CE Mark	Fire Rated
			Door width (min-max)			Vertical	Horizontal				
			653.5mm	833.5mm							
		1125	692-900mm	872-1200mm							
400	Touch bar single deadlocking latch	●	●		●				1	●	●
401	Touch bar single deadlocking latch	●		●	●				1	●	●
402	Touch bar panic bolt with vertical pullman latches	●	●		●	●			2	●	●
403	Touch bar panic bolt with vertical pullman latches	●		●	●	●			2	●	●
404	Touch bar three point panic bolt with vertical pullman latches	●	●		●	●			3	●	●
405	Touch bar panic three point bolt with vertical pullman latches	●		●	●	●			3	●	●
416	Touch bar panic bolt with horizontal pullman latches	●	●		●		●		2	●	●
417	Touch bar panic bolt with horizontal pullman latches	●		●			●		2	●	●
418	Touch bar three point panic bolt with horizontal pullman latches	●	●		●		●		3	●	●
419	Touch bar panic three point bolt with horizontal pullman latches	●		●	●		●		3	●	●
413MS	Touch bar mortice actuator with two microswitches		●		●				0		
414MS	Touch bar mortice actuator with two microswitches			●	●				0		
420	Touch bar mortice actuator with cylinder night latch	●	●		●				1	●	
421	Touch bar mortice actuator with cylinder night latch	●		●	●				1	●	
423	Touch bar mortice actuator without cylinder night latch		●		●				1		
424	Touch bar mortice actuator without cylinder night latch	●		●	●				1		
TB450	ELR touch bar panic latch	●	●		●			●	1	●	
TB451	ELR touch bar panic latch	●		●	●			●	1	●	
TB452	ELR touch bar panic bolt with vertical pullman latches	●	●		●	●		●	2	●	
TB453	ELR touch bar panic bolt with vertical pullman latches	●		●	●	●		●	2	●	
TB454	ELR touch bar three point panic bolt with vertical pullman latches	●	●		●	●		●	3	●	
TB455	ELR touch bar three point panic bolt with vertical pullman latches	●		●	●	●		●	3	●	
TB466	ELR touch bar panic bolt with horizontal pullman latches	●	●				●	●	2	●	
TB467	ELR touch bar panic bolt with horizontal pullman latches	●		●	●		●	●	2	●	
TB468	ELR touch bar three point panic bolt with horizontal pullman latches	●	●		●		●	●	3	●	
TB469	ELR touch bar three point panic bolt with horizontal pullman latches	●		●	●		●	●	3	●	



ASSA ABLOY

UN460 version 1

ASSA ABLOY Opening Solutions UK & Ireland, Door Hardware Group,
School Street, Willenhall, West Midlands WV13 3PW, UK

Tel: 0845 223 2124

Email: csdcomm@assaabloy.com

Web: uniononline.co.uk

Every effort has been made to ensure the accuracy of product information at time of publication in November 2021. We are continually developing our products and reserve the right to change the specification of the products within this catalogue with or without prior notice. Subject to our Terms and Conditions of trading, a copy of our T's and C's is available upon request.

For further help or information, please visit uniononline.co.uk or call our customer service team.



certifire

Performance you can trust