

StrongBOLT mortice locks

High resistance against attack

UNION

Technical support

We're here to help with technical support.

0845 223 2124

csdcomm@assaabloy.com

uniononline.co.uk

UNION

StrongBOLT

All about the bolt

We have manufactured high-quality, British designed locks and door hardware for more than 180 years. While our brand has evolved and grown to include a larger family of products over time, they all share a common purpose: a commitment to first class quality and design, with products that make the lives of our customers easier.

From humble beginnings in 1840, we have grown from a family business to become a leader in British designed locks and door hardware around the world.

We started in Willenhall, the heart of the British lock-making industry in the 19th Century. And even as we've grown over the past 180 years, our roots in Willenhall remain.

Today, Willenhall is home to our state-of-the-art manufacturing facility and headquarters. We're proud to still be based here – an area steeped in heritage and history for the locks and door hardware industry.

But we always have one eye on tomorrow. Our mission is to become your number one choice for locks and door hardware, and so we're always looking to create products that make your job easier, while improving the lives of those using our products, day-in, day-out.

UNION StrongBOLT™ features radius inner forends for ease of first fit installation or simple retro fit replacement.

It is designed using the same footprint as many UK first fit products, therefore eliminating the need for additional tooling or carpentry saving time and money as well as avoiding spoiling the aesthetics of the door which may occur on a retro fit installation.

In addition to the standard characteristics you would expect from a BS 3621:2007 mortice lock, UNION StrongBOLT™ has a unique chamfered bolt design which increases the performance of the lock under side load attack. In addition, the hardened steel pins within the bolt construction provide resistance from sawing and the shape of the bolt also provides little opportunity for destructive tools to make positive contact.



- Anti-pick, anti-saw and anti-drill security features for resistance against attack
- Chamfered bolt design increases the performance of the lock under side load testing. The chamfer of the bolt also makes drilling attack more difficult
- Radius inner forend for ease of installation
- Can be installed into many UK mortices without the need for additional carpentry or spoiling the edge of the door
- Anti-pick and keyhole protection prevents forced entry by picking
- Hardened steel pins provide resistance to attack from sawing

StrongBOLT Euro profile sashlock

UK style Euro profile cylinder mortice sashlock.

Features and benefits

- Easily reversible radius latch that uses the unique SwitchLatch technology
- Anti-saw security features for resistance against attack
- Anti-rattle adjustable strike plate for on-site fine tuning
- Radius plastic splinter guard for easy installation and a professional finish
- Chamfered bolt design for increased performance against side load attack
- Standard UK profile easy for retrofitting

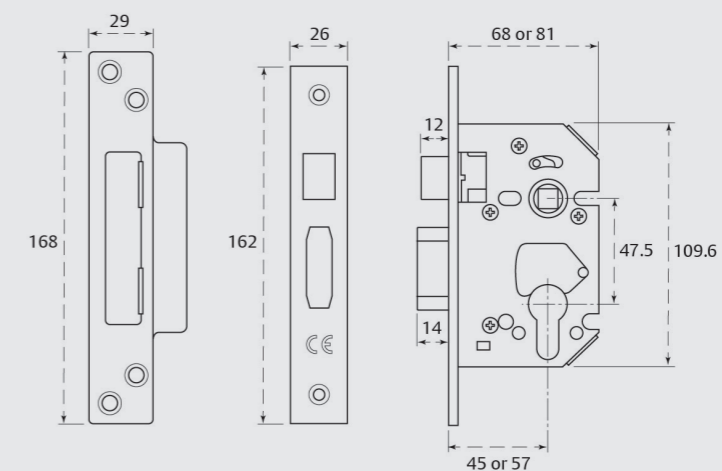


Product specification

Inner forend	Radius
Faceplate	Square
Lever furniture fixing points	38mm
Reversible latch/handing	Yes
Angle of lever operation	N/A
Furniture	Unsprung lever handles
Cylinder compatibility	Euro profile - single, double or cylinder with thumb turn
Backset	45, 57mm
Follower	8mm
Dimensions (D x H x W)	109.6mm 15mm 68/81mm
Centre distance	47.5mm
Deadbolt throw	14mm
Faceplate size	26mm
Latch and deadbolt finish	Latch - zinc Deadbolt - zinc with hardened steel rollers
Case material finish	Steel, red powder coat
Faceplate and strike plate finish	SS, PB
Splinter guard	Yes
Supplied with	Lockcase, faceplate, strike plate, plastic splinter guard and fixings
Certified in compliance with	EN 12209, EN 1634-1



Dimensions



How to order

Order code	Description	Finish
JL22EUS-PB-2.5	StrongBOLT Euro profile sashlock, 2.5" lockcase (boxed)	PB
JL22EUS-PB-3.0	StrongBOLT Euro profile sashlock, 3.0" lockcase (boxed)	PB
JL22EUS-SS-2.5	StrongBOLT Euro profile sashlock, 2.5" lockcase (boxed)	SS
JL22EUS-SS-3.0	StrongBOLT Euro profile sashlock, 3.0" lockcase (boxed)	SS

StrongBOLT Euro profile deadlock

UK style Euro profile cylinder mortice deadlock.

Features and benefits

- Radius plastic splinter guard for easy installation and a professional finish
- Suitable for doors up to 54mm thick
- Chamfered bolt design for increased performance against side load attack
- Anti-saw features resistance for attack
- Anti-rattle adjustable strike plate for on-site tuning
- Standard UK profile easy for retrofitting

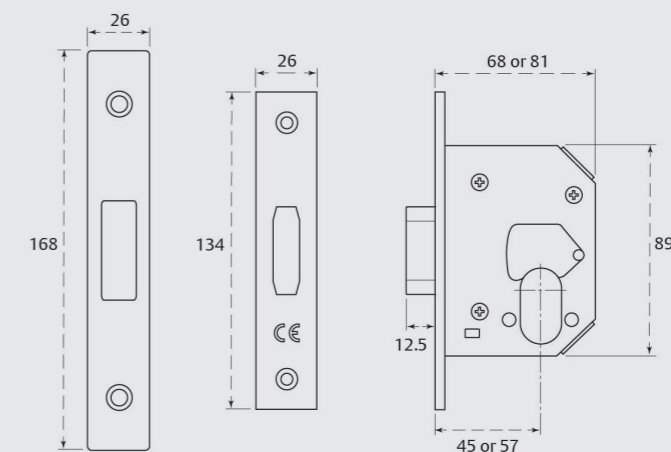


Product specification

Inner forend	Radius
Faceplate	Square
Lever furniture fixing points	N/A
Reversible latch/handing	N/A
Angle of lever operation	N/A
Furniture	Push plate pull handles
Cylinder compatibility	Euro profile - single, double or cylinder with thumb turn
Backset	45, 57mm
Follower	N/A
Dimensions (D x H x W)	89mm x 15mm x 68/81mm
Centre distance	N/A
Deadbolt throw	14mm
Faceplate size	26mm
Latch and deadbolt finish	Latch - N/A Deadbolt - zinc with hardened steel rollers
Case material finish	Steel, red powder coat
Faceplate and strike plate finish	SS, PB
Splinter guard	Yes
Supplied with	Lockcase, faceplate, strike plate, plastic splinter guard and fixings
Certified in compliance with	EN 12209, EN 1634-1



Dimensions



How to order

Order code	Description	Finish
JL21EUS-PB-2.5	StrongBOLT Euro profile deadlock, 2.5" lockcase (boxed)	PB
JL21EUS-PB-3.0	StrongBOLT Euro profile deadlock, 3.0" lockcase (boxed)	PB
JL21EUS-SS-2.5	StrongBOLT Euro profile deadlock, 2.5" lockcase (boxed)	SS
JL21EUS-SS-3.0	StrongBOLT Euro profile deadlock, 3.0" lockcase (boxed)	SS

StrongBOLT oval profile sashlock

UK style oval profile cylinder mortice sashlock.

Features and benefits

- Easily reversible radius latch that uses the unique SwitchLatch technology
- Anti-rattle adjustable strike plate for onsite fine tuning
- Radius plastic splinter guard for easy installation and a professional finish
- Chamfered bolt design for increased performance against side load attack
- Anti-saw features resistance for attack
- Standard UK profile easy for retrofitting

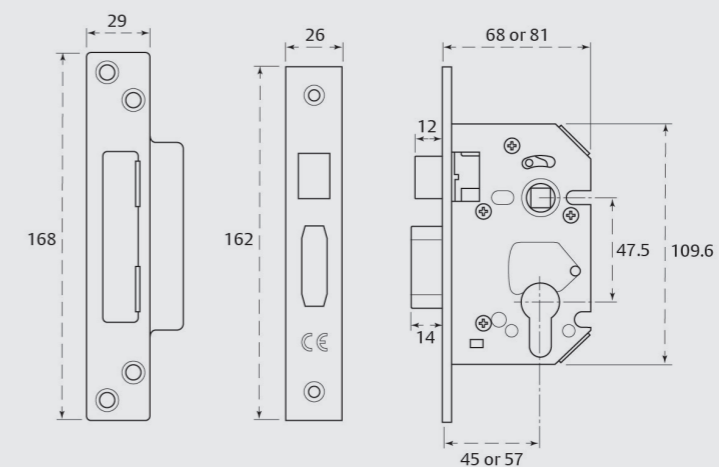


Product specification

Inner forend	Radius
Faceplate	Square
Lever furniture fixing points	38mm
Reversible latch/handing	Yes
Angle of lever operation	N/A
Furniture	Unsprung lever handles
Cylinder compatibility	Oval profile - single, double or cylinder with thumb turn
Backset	45, 57mm
Follower	8mm
Dimensions (D x H x W)	109.6mm 15mm 68/81mm
Centre distance	48.5mm
Deadbolt throw	12.5mm
Faceplate size	26mm
Latch and deadbolt finish	Latch - zinc Deadbolt - zinc with hardened steel rollers
Case material finish	Steel, red powder coat
Faceplate and strike plate finish	SS, PB
Splinter guard	Yes
Supplied with	Lockcase, faceplate, strike plate, plastic splinter guard and fixings
Certified in compliance with	EN 12209, EN 1634-1



Dimensions



How to order

Order code	Description	Finish
JL220VS-PB-2.5	StrongBOLT oval profile sashlock, 2.5" lockcase (boxed)	PB
JL220VS-PB-3.0	StrongBOLT oval profile sashlock, 3.0" lockcase (boxed)	PB
JL220VS-SS-2.5	StrongBOLT oval profile sashlock, 2.5" lockcase (boxed)	SS
JL220VS-SS-3.0	StrongBOLT oval profile sashlock, 3.0" lockcase (boxed)	SS

StrongBOLT oval profile deadlock

UK style oval profile cylinder mortice deadlock.

Features and benefits

- Radius plastic splinter guard for easy installation and a professional finish
- Suitable for doors up to 54mm thick
- Chamfered bolt design for increased performance against side load attack
- Anti-saw features resistance for attack
- Anti-rattle adjustable strike plate for on-site tuning
- Standard UK profile easy for retrofitting

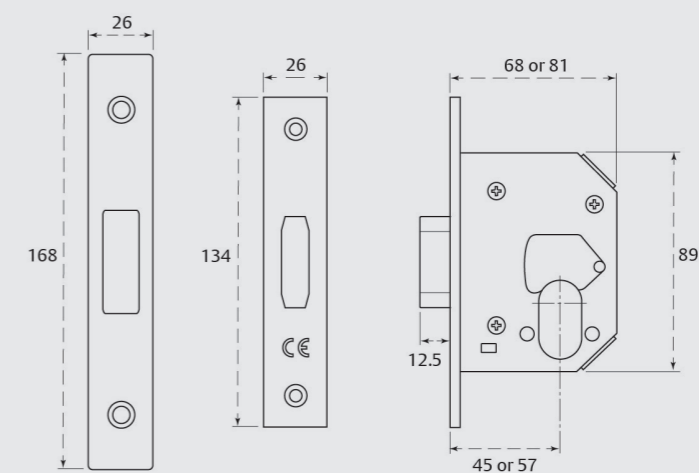


Product specification

Inner forend	Radius
Faceplate	Square
Lever furniture fixing points	N/A
Reversible latch/handing	N/A
Angle of lever operation	N/A
Furniture	Push plate / pull handles
Cylinder compatibility	Oval profile - single, double or cylinder with thumb turn
Backset	45, 57mm
Follower	N/A
Dimensions (D x H x W)	189mm x 15mm x 68/81mm
Centre distance	N/A
Deadbolt throw	12.5mm
Faceplate size	26mm
Latch and deadbolt finish	Latch - zinc Deadbolt - zinc with hardened steel rollers
Case material finish	Steel, red powder coat
Faceplate and strike plate finish	SS, PB
Splinter guard	Yes
Supplied with	Lockcase, faceplate, strike plate, plastic splinter guard and fixings
Certified in compliance with	EN 12209, EN 1634-1



Dimensions



How to order

Order code	Description	Finish
JL210VS-PB-2.5	StrongBOLT oval profile deadlock, 2.5" lockcase (boxed)	PB
JL210VS-PB-3.0	StrongBOLT oval profile deadlock, 3.0" lockcase (boxed)	PB
JL210VS-SS-2.5	StrongBOLT oval profile deadlock, 2.5" lockcase (boxed)	SS
JL210VS-SS-3.0	StrongBOLT oval profile deadlock, 3.0" lockcase (boxed)	SS

StrongBOLT bathroom lock

UK style mortice bathroom lock.

Features and benefits

- Anti-rattle adjustable strike plate for fine tuning
- Deadbolt locked or unlocked by a privacy turn on the inside and emergency release on the outside
- Standard UK profile, can be retrofitted without additional carpentry or spoiling edge of door
- Suitable for doors up to 54mm thick
- Chamfered bolt design for increased performance against side load attack
- Easily reversible latch that uses the unique SwitchLatch technology
- Anti-saw features resistance for attack
- Radius splinter guard for easy installation and a professional finish

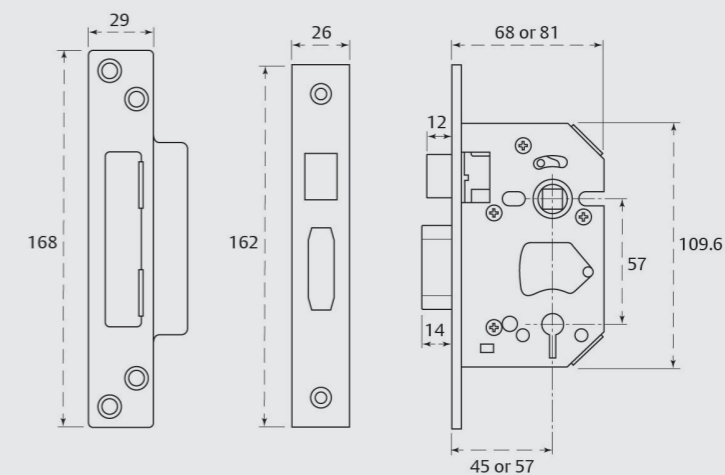


Product specification

Inner forend	Radius
Faceplate	Square
Lever furniture fixing points	38mm
Reversible latch/handing	Yes
Angle of lever operation	N/A
Furniture	Unsprung lever handles
Cylinder compatibility	Privacy turn or emergency release (5mm follower)
Backset	45, 57mm
Follower	8mm
Dimensions (D x H x W)	109.6mm x 15mm x 68/81mm
Centre distance	57mm
Deadbolt throw	14mm
Faceplate size	26mm
Latch and deadbolt finish	Latch – zinc Deadbolt – zinc with hardened steel rollers
Case material finish	Steel, red powder coat
Faceplate and strike plate finish	SS, PB
Splinter guard	Yes
Supplied with	Lockcase, faceplate, strike plate, plastic splinter guard and fixings
Certified in compliance with	EN 12209, EN 1634-1



Dimensions



How to order

Order code	Description	Finish
J22WCS-PB-2.5	StrongBOLT bathroom lock, 2.5" lockcase (boxed)	PB
J22WCS-PB-3.0	StrongBOLT bathroom lock, 3.0" lockcase (boxed)	PB
J22WCS-SS-2.5	StrongBOLT bathroom lock, 2.5" lockcase (boxed)	SS
J22WCS-SS-3.0	StrongBOLT bathroom lock, 3.0" lockcase (boxed)	SS



ASSA ABLOY

ASSA ABLOY Opening Solutions UK and Ireland, Door Hardware Group,
School Street, Willenhall, West Midlands WV13 3PW, UK

Tel: 0845 223 2124

Email: csdcomm@assaabloy.com

Web: uniononline.co.uk

Every effort has been made to ensure the accuracy of product information at time of publication in November 2021. We are continually developing our products and reserve the right to change the specification of the products within this catalogue with or without prior notice. Subject to our Terms and Conditions of trading, a copy of our T's and C's is available upon request.

For further help or information, please visit uniononline.co.uk or call our customer service team.



Performance you can trust